



GRANUTECH-SATURN SYSTEMS CORPORATION
201 East Shady Grove Road
Grand Prairie, Texas 75050
PHONE: 972/790-7800
FAX: 972/790-8733
e-mail: sales@granutech.com

SATURN Model 62-40HT SHREDDER

Data Sheet

The Saturn shredder features twin counter-rotating shafts operating at slow speed and very high torque to reduce material by means of shearing and tearing. Slight shaft speed differential contributes to the cutting action while reducing particle sizing. The Saturn shredder is driven by a high displacement hydraulic motor, which in turn is powered by Saturn's proprietary open loop hydraulic drive system. Automatic overload detection initiates cutter shaft reversal to eliminate damage to the shredder components.

SPECIFICATIONS:

- Shredder Inlet Opening 55" x 38"
- Shredder Outside Dimensions 130" x 61" x 43"
- Power Unit Dimensions 96" x 86" x 96"
- Shredder Weight 20,000 pounds
- Power Unit Weight 8,000 (dry)

DETAILS:

Shredder

- Cutter Shaft Torque: Fast – 64,776 ft/lbs
Torque: Slow – 78,653 ft/lbs
- Cutter Shaft Speed: Fast – 22
Speed: Slow – 18
- Cutter Force Fast: 77,732 lbs
Slow: 94,383 lbs
- Cutter Diameter 20.5" @ hooks

Power Unit – Open Loop, Skid Mounted

- Electrical Power 200 HP (2 x 100) (Optional 150-300HP)
- Hydraulic Flow 156 GPM
- Rated Pressure 3000 PSI

ELECTRICAL:

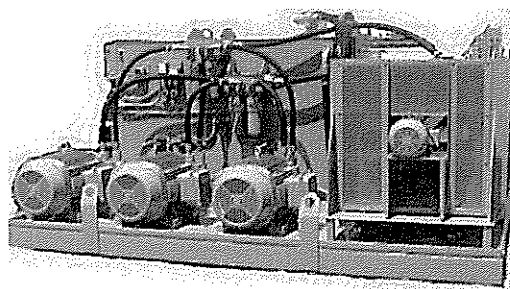
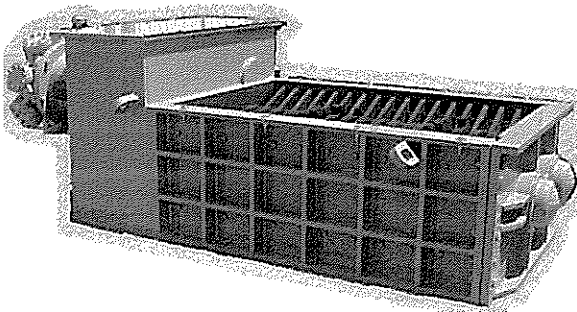
Operator initiated pushbutton controls, featuring Allen Bradley PLC. Motor controls include primary disconnect with short circuit protection, full load contactors, and electronic overload detection. Control power derived from a single-phase transformer. All components assembled and wired in a NEMA enclosure.

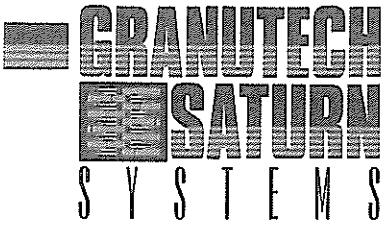
OPTIONAL:

- Mounting and wiring of control and motor starter panels on hydraulic power unit
- Shredder infeed hopper
- Shredder support stand
- Infeed and discharge conveyors

APPLICATIONS:

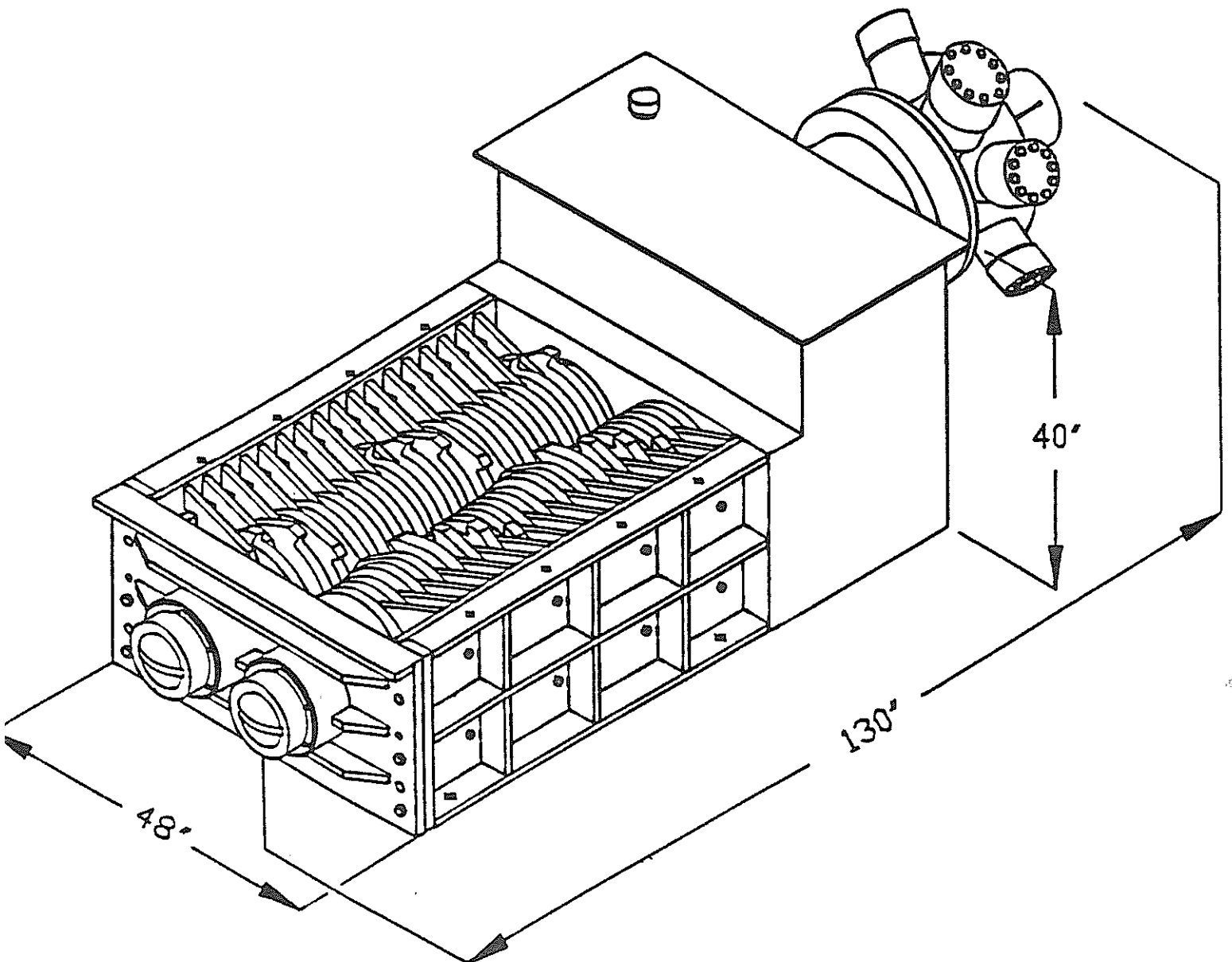
- Tires – up to 10 T/HR
- MSW – up to 15 T/HR
- Non-Ferrous Metals – up to 6 T/HR
- Plastics – up to 4 T/HR
- Bulky Waste – up to 10 T/HR





Granutech-Saturn Systems Corporation
201 East Shady Grove Road ♦ Grand Prairie, Texas 75050
Phone: (972) 790-7800 ♦ Fax: (972) 790-8733
email: sales@granutech.com

MODEL '62-40 H.T. 200 H.P. SHREDDER





Granutech-Saturn Systems Corporation
201 East Shady Grove Road ♦ Grand Prairie, Texas 75050
Phone: (972) 790-7800 ♦ Fax: (972) 790-8733
email: sales@granutech.com

200 H.P. HYDRAULIC POWER UNIT

