



CM Dual Speed Tire Shredder

The Industry's Cleanest Cut

The CM Dual Speed Tire Shredder is designed to process passenger car, light truck, SUV and truck tires. It can shred whole tires at a rate up to 12 tons per hour which is as many as 1,200 passenger or 200 truck tires. It's rugged enough to cut whole tires up to 48" in diameter, including steel-belted radials, in just one step.

Turnkey Ready

This turnkey whole tire-to-chip system includes all stands, platforms and conveyors and comes completely pre-wired — to quickly have you up and operational. And since it's designed for simplicity, you can keep your labor cost down to a minimum.

Features at a glance:

- Utilizes CM's Patented Knife design
- Offered in mobile configurations
- Two-speed drive ensures energy efficient operation
- Patented classification and recirculation systems for easy monitoring of performance
- Also available as a remanufactured system

The Cleanest Cuts In the Tire Recycling Industry

Our patented MULTI-STACK knife design operates at extremely close tolerances which produces the industry's cleanest cut with very little exposed wire. The knives can be resharpened and reused which significantly decreases



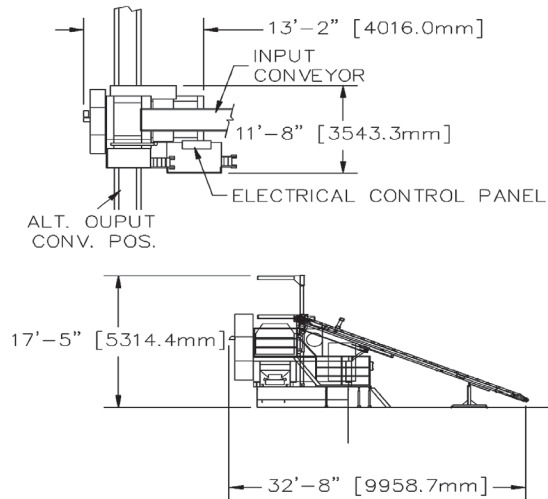
Whole Tire Production Rates

Primary Shred	22 to 24 tons / hour
2" (50mm) Chip	8 to 12 tons / hour
1.5" (38mm) Chip	6 to 8 tons / hour
1" (25mm) Chip	4 to 6 tons / hour

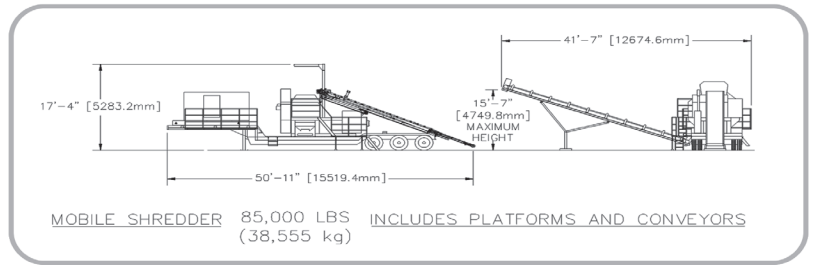


Clean Cut Chips

Classic Tire Shredder Engineering



STATIONARY SHREDDER 60,000 LBS. INCLUDES PLATFORMS AND CONVEYORS (27,215 KG)



MOBILE SHREDDER 85,000 LBS (38,555 kg) INCLUDES PLATFORMS AND CONVEYORS

Customer Service is Second to None

We carry a complete line of replacement parts for all CM Tire Processing Equipment with shipping on standard parts within 24 hours. Our dedicated Customer Service Team is available to take your part orders via e-mail, telephone or fax. We use various freight carriers to ensure you will receive your package on time and at the lowest cost.

We also provide Field Service Technicians support if your equipment needs maintenance or repairs. Depending on location, our technicians can generally be on your site within 24 hours.



For more information please call us at:

(800) 848-1071 or (941) 755-2621

CM Tire Recycling Equipment Solutions

1920 Whitfield Avenue • Sarasota, FL 34243 • (800) 848-1071 • (941) 755-2621 • Fax: (941) 753-2308

www.cmtirerecyclingequipment.com