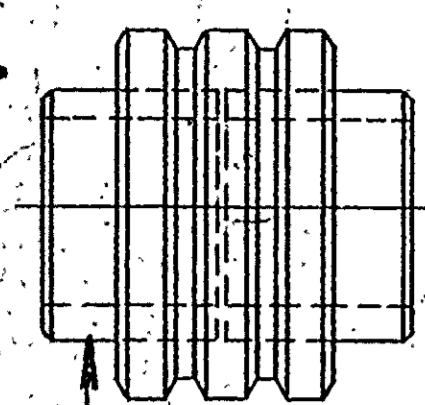
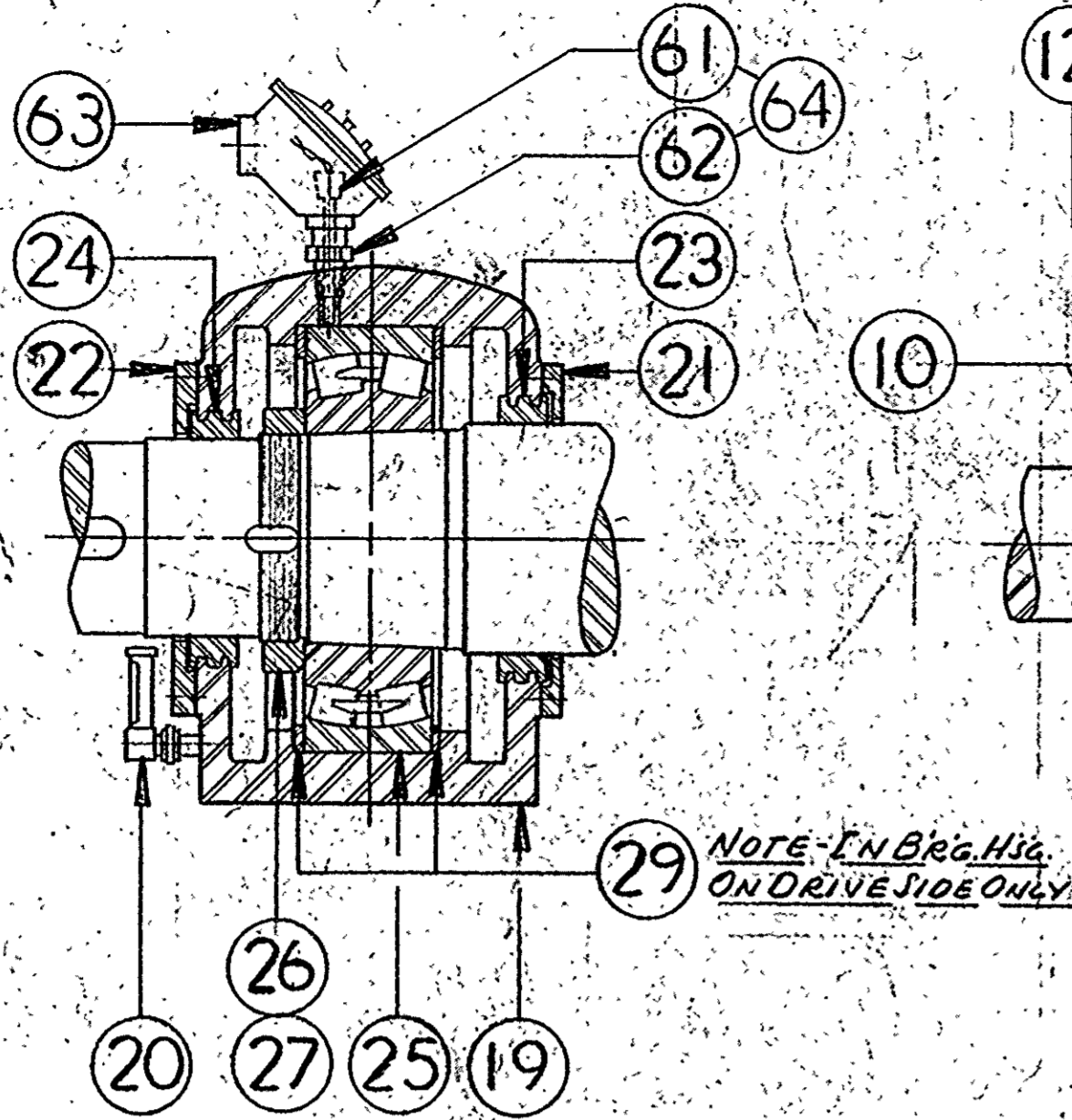


REVISION
 DESCRIPTION
 DATE
 BY

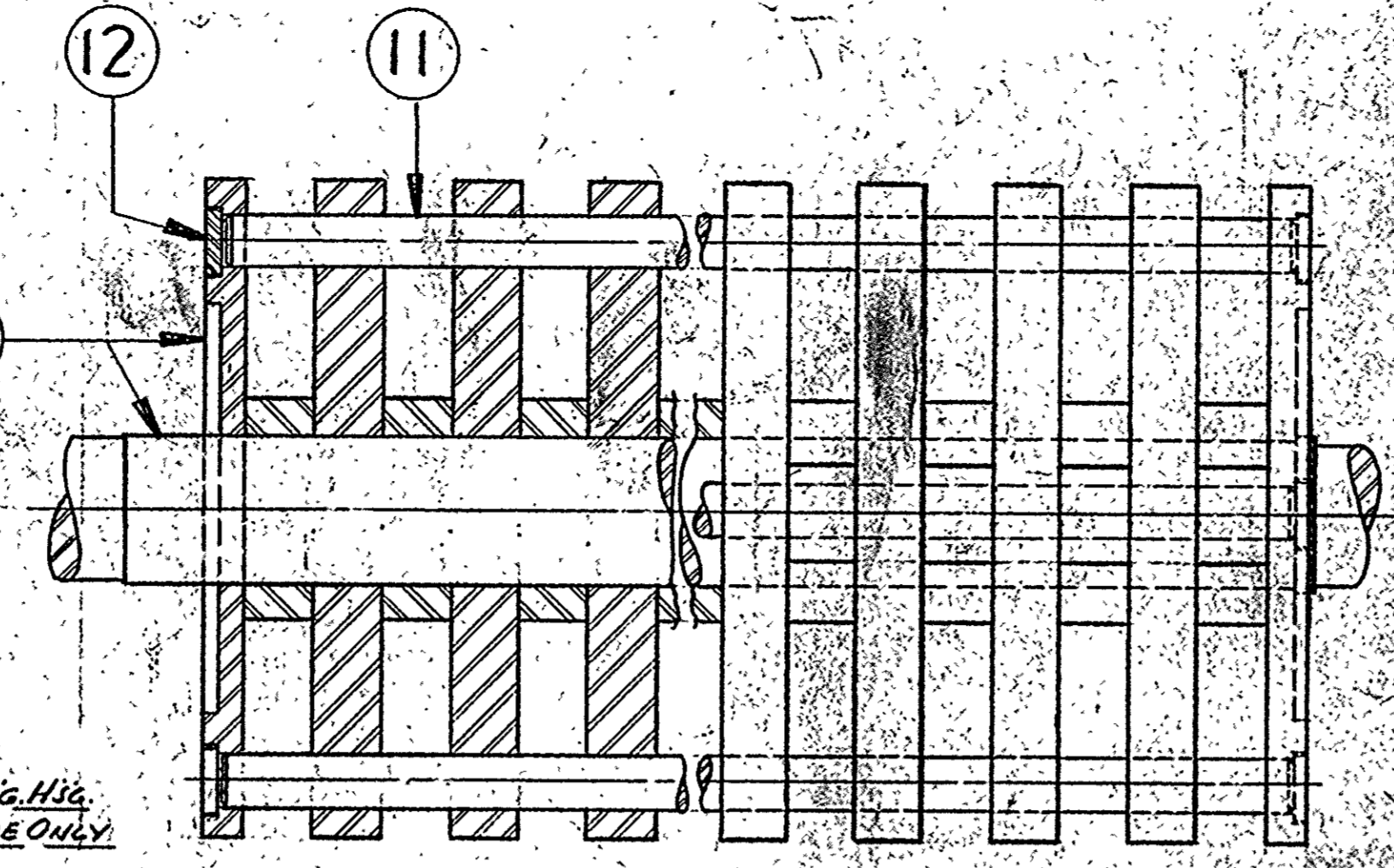
MK-2 WAS TRACED
 MK-31 ADDED
 TITLE WAS #790 REF
 SHREDDER
 B1. REMOVED MKS 48
 WAS 27-ADDED SCREW
 WAS 28-ADDED
 WAS 29-ADDED
 WAS 30-ADDED
 WAS 31-ADDED
 WAS 32-ADDED
 WAS 33-ADDED
 WAS 34-ADDED
 WAS 35-ADDED
 WAS 36-ADDED
 WAS 37-ADDED
 WAS 38-ADDED
 WAS 39-ADDED
 WAS 40-ADDED
 WAS 41-ADDED
 WAS 42-ADDED
 WAS 43-ADDED
 WAS 44-ADDED
 WAS 45-ADDED
 WAS 46-ADDED
 WAS 47-ADDED
 WAS 48-ADDED
 WAS 49-ADDED
 WAS 50-ADDED
 WAS 51-ADDED
 WAS 52-ADDED
 WAS 53-ADDED
 WAS 54-ADDED
 WAS 55-ADDED
 WAS 56-ADDED
 WAS 57-ADDED
 WAS 58-ADDED
 WAS 59-ADDED
 WAS 60-ADDED
 WAS 61-ADDED
 WAS 62-ADDED
 WAS 63-ADDED
 WAS 64-ADDED
 WAS 65-ADDED



65 1/2" SHAFT
 GAP-REF.
 COUPLING



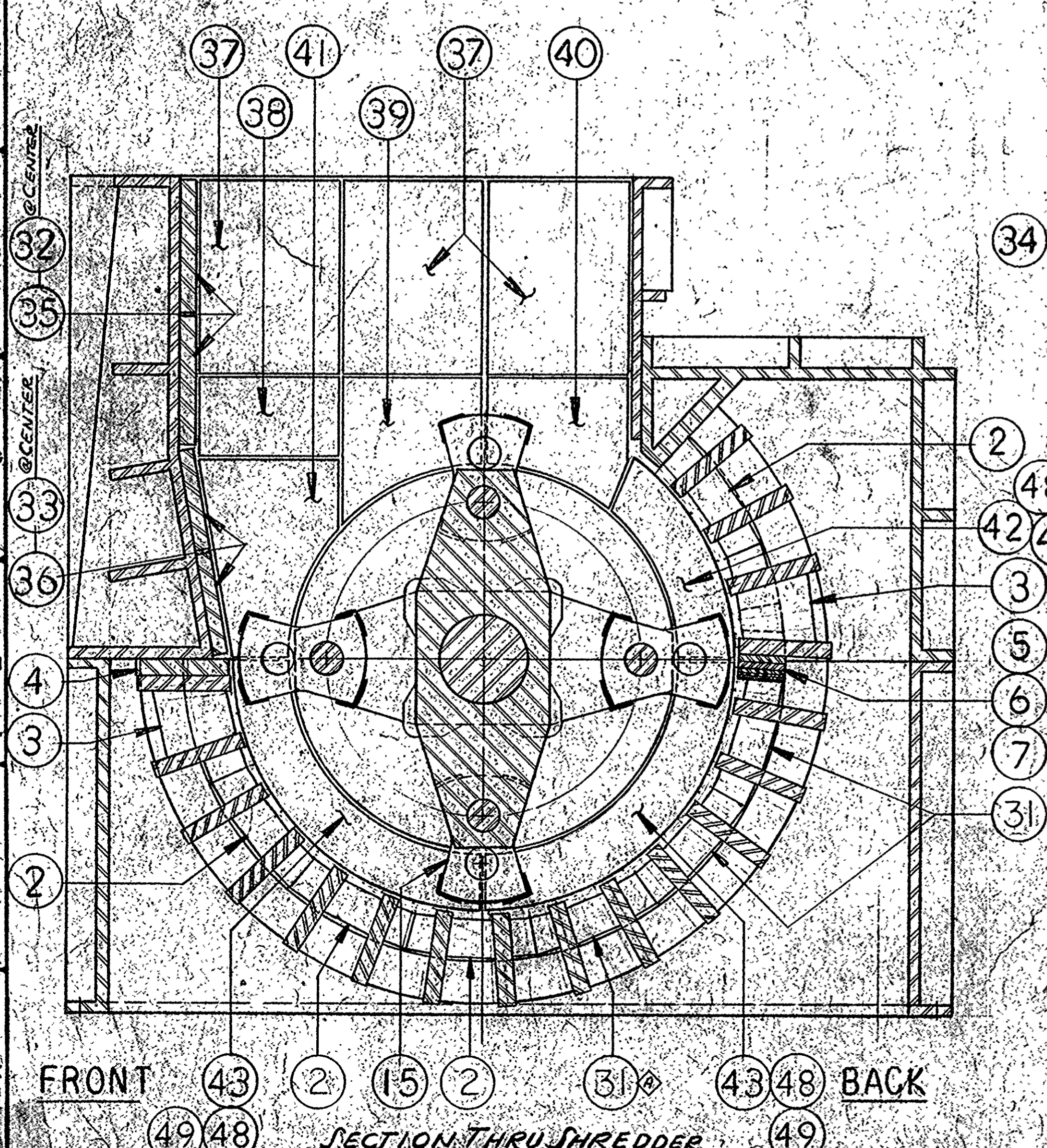
SECTION THRU BRG. & HSG.



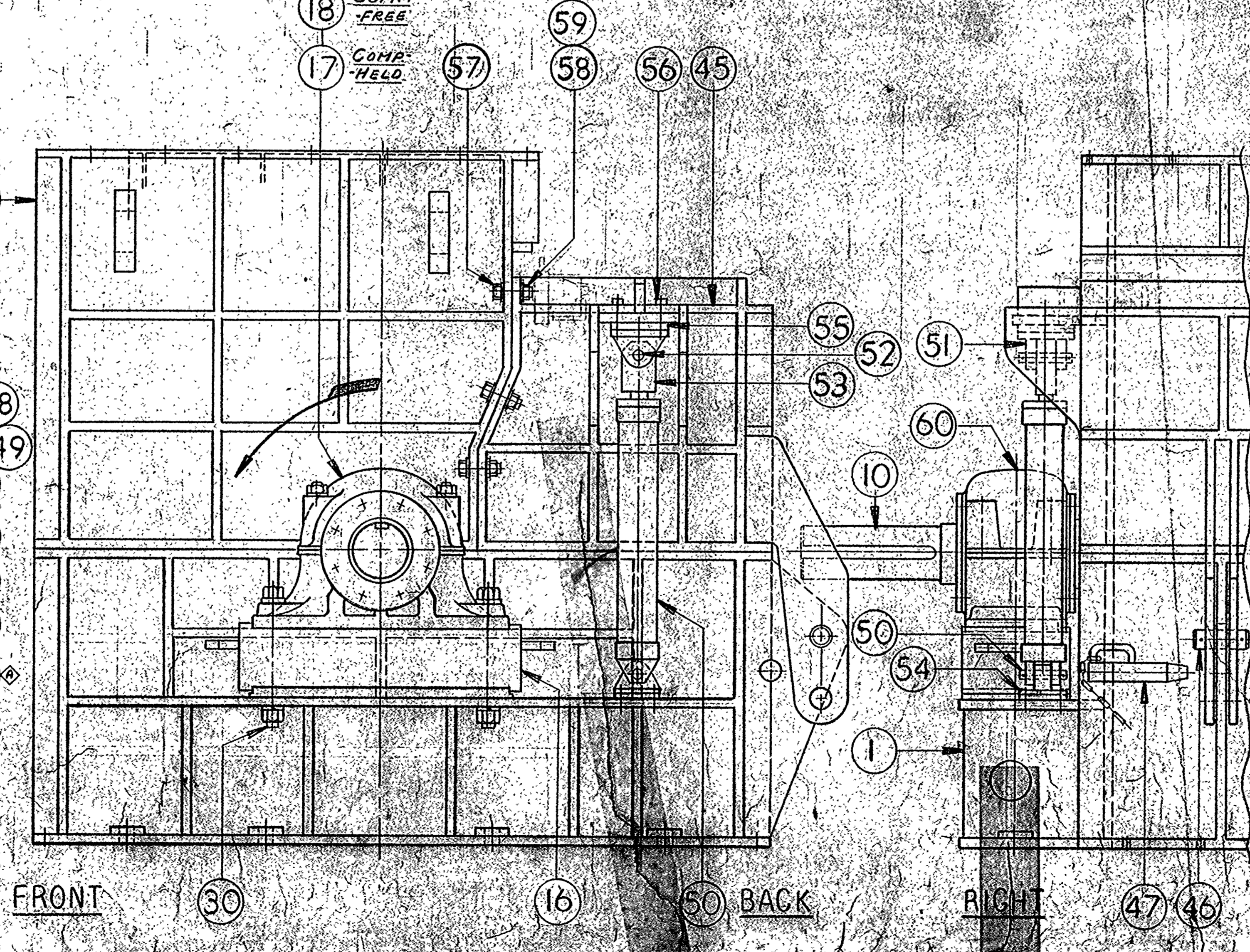
SECTION THRU ROTOR

QUAN.	MAT'L.	DESCRIPTION	PAT. NO.	CAT. NO.	NO. OF Pcs.
1		LOWER FRAME	231649	251F008	
4		5" MESH SCREEN GRATE	231629	251F009	
2		SPECIAL 5" MESH SCREEN GRATE	231630	251F011	
1		2" THK. SCREEN BAR @ FRONT	231628	251F008	
2		1" THK. SCREEN BAR SPACER	231643	251F008	
3		1/2 THK. SCREEN BAR SPACER	231644	251F008	
3		1/4 THK. SCREEN BAR SPACER	231648	251F008	
1		SPIDER ROTOR COMP. INCL. SHAFT	231631	251F010	
4		HAMMER PIN	233015	C-232015	
8		LOCK PLATE	231428	244F906	
36		HAMMER 1" HARD COATED	231426	244E977	
2		BEARING HSG. FILL	231642	251E006	
1		RTO DRILL PILLON BLOCK (HELD)	231656	251F059	
1		RTO DRILL PILLON BLOCK (FREE)	231657	251F059	
2		HOUSING DRILLED FOR RTO	231654	251F059	
2		OIL TIGHT GAGE	228719	531.511	
2		CIRCULAR SHROUD IN	230370	238F908	
2		CIRCULAR SHROUD OUT	230371	238F908	
2		RING SEAL IN	231699	251F055	
2		RING SEAL OUT	231706	251F055	
2		ROLLER BEARING	230146	238F908	
2		LOCK PLATE (P-52) REF. TO DRAWING	227560	251F002	
2		LOCK NUT (N-052) REF. TO DRAWING	227559	251F002	
4		ALUMINUM FITTING (ALUMINUM 30/37)	60880	4288950	
2		STABILIZING RING ON DRIVE SIDE ONLY	230372	238F908	
8		SPECIAL BOLT	228728	228728	
3		9" MESH SCREEN GRATE	231758	251F010	
2		UPPER CENTER BREAKER LINER	231640	251D005	
2		LOWER CENTER BREAKER LINER	231641	251D005	
1		UPPER FRONT HIG	231648	251F008	
8		UPPER BREAKER LINER	231410	244D966	
8		LOWER BREAKER LINER	231411	244D966	
6		UPPER JOE LINER	231418	244F971	
2		FRONT UPPER JOE LINER	231419	244F971	
2		MIDDLE JOE LINER	231415	244F971	
2		BACK UPPER JOE LINER	231416	244F971	
2		FRONT JOE LINER	231417	244F971	
2		BACK QUADRANT LINER	231418	244F971	
2		LOWER JOE LINER	231419	244F971	
1		UPPER BACK QUADRANT	231652	251F056	
3		HINGE PIN	231431	C-231431	
8		LOCKING PIN	231432	C-231432	
18		3/8 X 4 HEX HD CAP SCREW G&S	232949	C-232949	
18		2 HARDEN WASHER	423517	6429517	
2		HYDRAULIC CYLINDER W/ PIN		2440988	
2		CLEVIS BRACKET		2440988	
2		PIN		2440988	
2		ROO EYE		2440988	
2		EYE BRACKET		2440988	
2		UPPER SPACER	231453	C-231453	
8		1/2 X 4 HEX HD CAP SCREW	231464	C-231464	
6		1 1/2 X 5 1/2 HEX HD CAP SCREW G&S	63159	5611321	
6		1 1/2 X 5 1/2 HEX HD CAP SCREW	63075	5611321	
12		PLAIN WASHER	233283	561.711	
1		OIL CIRCULATING SYSTEM	231490	244F988	
2		DETECTOR	231661	251A063	
2		DETECTOR HOLDER	231662	251A063	
2		DETECTOR HEADS	231663	251A063	
2		SPECIAL WRENCH (HORN)	231664	251A063	
1		10 TIO FAIR COUPLING			

NOTE IF RING SEALS ARE
 REQUIRED SEE ORIG.
 DRG. 251F083



SECTION THRU SHREDDER



FRONT

BACK

RIGHT

This drawing is the property of The Jeffrey Manufacturing Company, and must be returned upon request. It shall not be reproduced, copied, nor used as a basis for manufacture of apparatus or devices without permission of The Jeffrey Manufacturing Company, Columbus 16, Ohio, U.S.A.

TITLE PARTS LIST
 FOR #893 SHREDDER
 ESTIMATE OR ORDER NO.
 PRINT LOCATION

SCALE DO NOT SCALE DRAWING
 WORK TO DIMENSIONS

DATE
 CHECKED
 DATE
 DATE
 DATE
 DATE

DESIGNER
 TRACED
 DATE
 DATE
 DATE
 DATE

QUAN. MAT'L. DESCRIPTION PAT. NO. CAT. NO. NO. OF Pcs.

1 LOWER FRAME 231649 251F008
 4 5" MESH SCREEN GRATE 231629 251F009
 2 SPECIAL 5" MESH SCREEN GRATE 231630 251F011
 1 2" THK. SCREEN BAR @ FRONT 231628 251F008
 2 1" THK. SCREEN BAR SPACER 231643 251F008
 3 1/2 THK. SCREEN BAR SPACER 231644 251F008
 3 1/4 THK. SCREEN BAR SPACER 231648 251F008
 1 SPIDER ROTOR COMP. INCL. SHAFT 231631 251F010
 4 HAMMER PIN 233015 C-232015
 8 LOCK PLATE 231428 244F906
 36 HAMMER 1" HARD COATED 231426 244E977
 2 BEARING HSG. FILL 231642 251E006
 1 RTO DRILL PILLON BLOCK (HELD) 231656 251F059
 1 RTO DRILL PILLON BLOCK (FREE) 231657 251F059
 2 HOUSING DRILLED FOR RTO 231654 251F059
 2 OIL TIGHT GAGE 228719 531.511
 2 CIRCULAR SHROUD IN 230370 238F908
 2 CIRCULAR SHROUD OUT 230371 238F908
 2 RING SEAL IN 231699 251F055
 2 RING SEAL OUT 231706 251F055
 2 ROLLER BEARING 230146 238F908
 2 LOCK PLATE (P-52) REF. TO DRAWING 227560 251F002
 2 LOCK NUT (N-052) REF. TO DRAWING 227559 251F002
 4 ALUMINUM FITTING (ALUMINUM 30/37) 60880 4288950
 2 STABILIZING RING ON DRIVE SIDE ONLY 230372 238F908
 8 SPECIAL BOLT 228728 228728
 3 9" MESH SCREEN GRATE 231758 251F010
 2 UPPER CENTER BREAKER LINER 231640 251D005
 2 LOWER CENTER BREAKER LINER 231641 251D005
 1 UPPER FRONT HIG 231648 251F008
 8 UPPER BREAKER LINER 231410 244D966
 8 LOWER BREAKER LINER 231411 244D966
 6 UPPER JOE LINER 231418 244F971
 2 FRONT UPPER JOE LINER 231419 244F971
 2 MIDDLE JOE LINER 231415 244F971
 2 BACK UPPER JOE LINER 231416 244F971
 2 FRONT JOE LINER 231417 244F971
 2 BACK QUADRANT LINER 231418 244F971
 2 LOWER JOE LINER 231419 244F971
 1 UPPER BACK QUADRANT 231652 251F056
 3 HINGE PIN 231431 C-231431
 8 LOCKING PIN 231432 C-231432
 18 3/8 X 4 HEX HD CAP SCREW G&S 232949 C-232949
 18 2 HARDEN WASHER 423517 6429517
 2 HYDRAULIC CYLINDER W/ PIN 2440988
 2 CLEVIS BRACKET 2440988
 2 PIN 2440988
 2 ROO EYE 2440988
 2 EYE BRACKET 2440988
 2 UPPER SPACER 231453 C-231453
 8 1/2 X 4 HEX HD CAP SCREW 231464 C-231464
 6 1 1/2 X 5 1/2 HEX HD CAP SCREW G&S 63159 5611321
 6 1 1/2 X 5 1/2 HEX HD CAP SCREW 63075 5611321
 12 PLAIN WASHER 233283 561.711
 1 OIL CIRCULATING SYSTEM 231490 244F988
 2 DETECTOR 231661 251A063
 2 DETECTOR HOLDER 231662 251A063
 2 DETECTOR HEADS 231663 251A063
 2 SPECIAL WRENCH (HORN) 231664 251A063
 1 10 TIO FAIR COUPLING