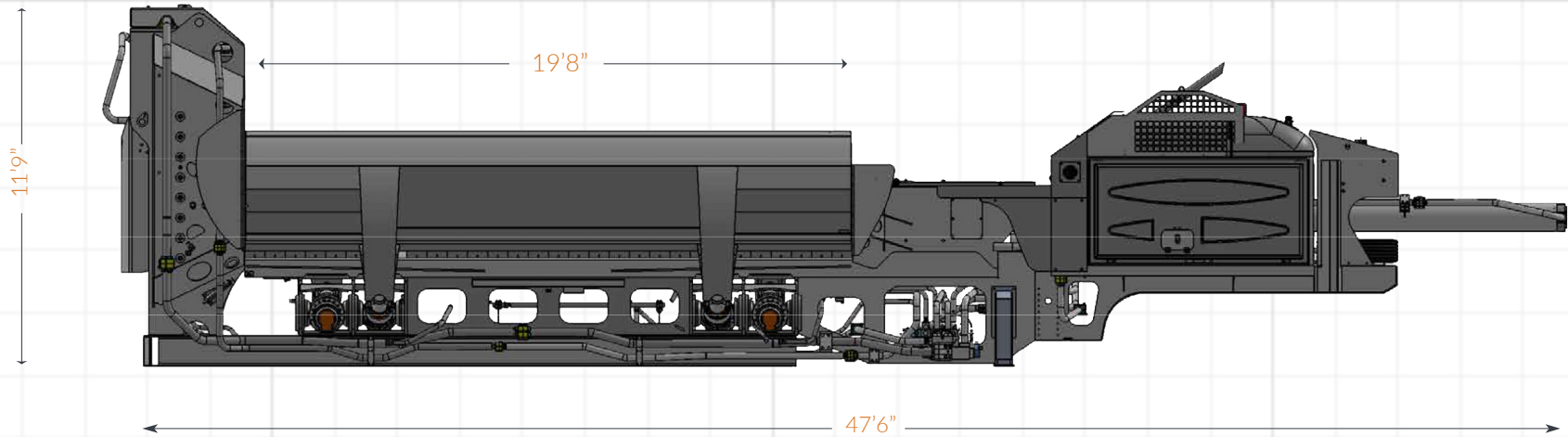




# .ENGINEERED TO MEET YOUR NEEDS

# .SB 660A Stationary



## .SPECIFICATIONS

Cutting force	660 T	Hydraulic oil tank capacity	422 us gal
Hold down force	110 T	Fuel tank capacity	132 us gal
Box closing force	2 x 265 T	Total weight	99,207 lb.
Pusher ram force	200 T		
Cutting width	31.5"		
Box length	19'8"		
Box section opened	8'0"		
Box section closed	31.5" x 24"		
Bale size	31.5" x 24" x variable		

## .MAIN FEATURES

- Hydraulic bottom blades fastening system
- Hydraulic cooler
- Automatic shear lubrication system
- Diesel or electric power unit
  - CAT® C7 ACERT™ Tier 4 Final 278hp
  - Electric power unit 90kw

## .MAIN OPTIONS

- Landing legs
- Bluetooth control screen
- Custom colors
- Modem

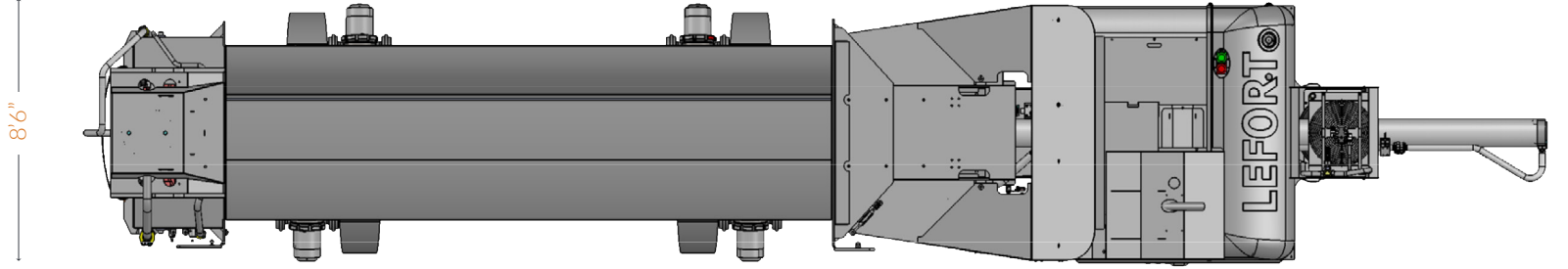
These features are not contractual. Lefort reserves the right to modify its specifications without any prior notice.

**SHEAR // BALER // LOGGER**

More advanced. More productive. More reliable.

# .SB 660A

Stationary



.....

.....

.....

.....

.....

.....

.....

.....

.....

.....

.....

.....

.....

.....

.....

.....

.....

.....

.....

.....

.....

.....



### .Contact

**LEFORT America**

(P) 954 916 7379

(E) [info@lefortamerica.com](mailto:info@lefortamerica.com)

[www.lefortamerica.com](http://www.lefortamerica.com)

.....

.....

.....

.....

.....

.....