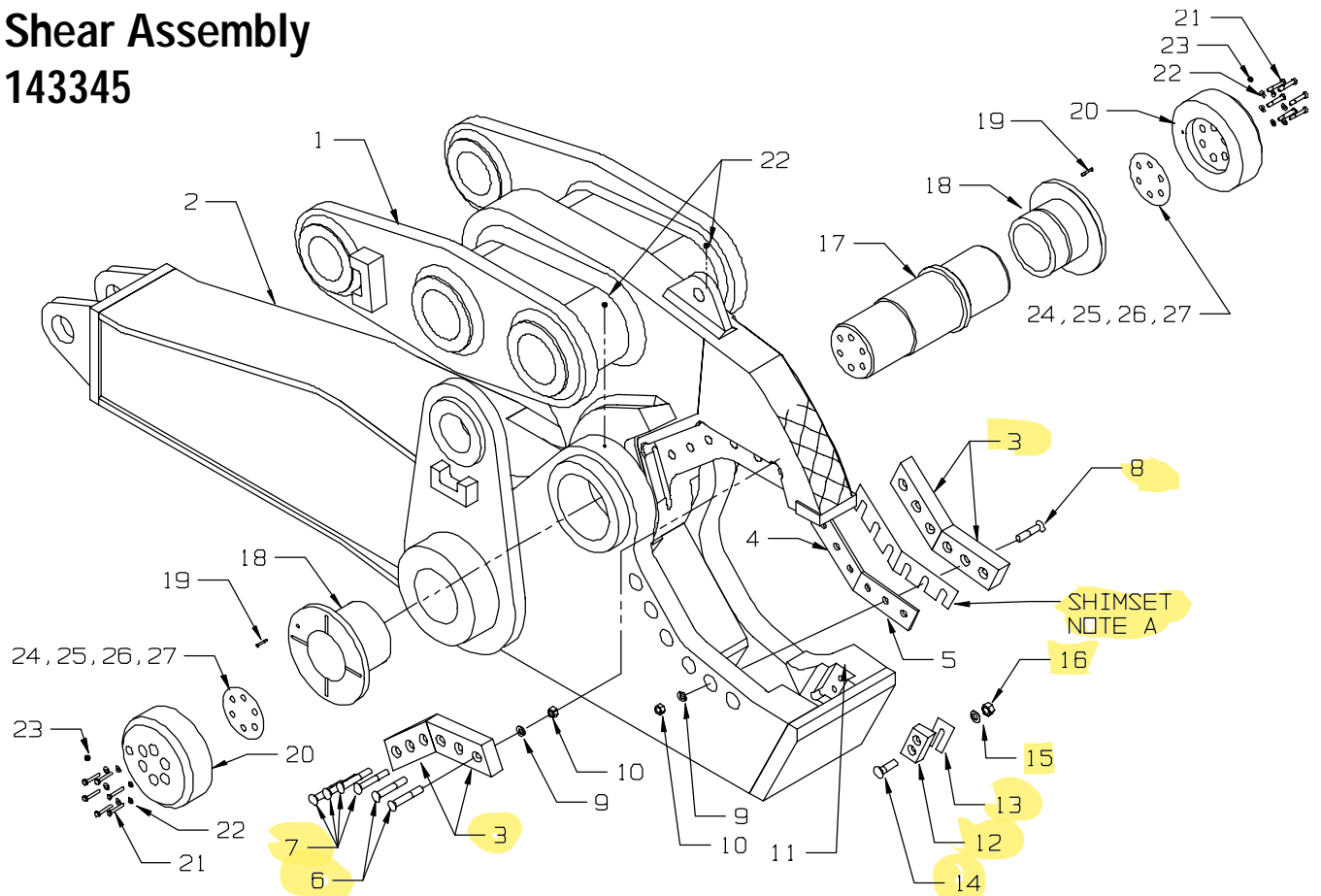


Shear Assembly 143345



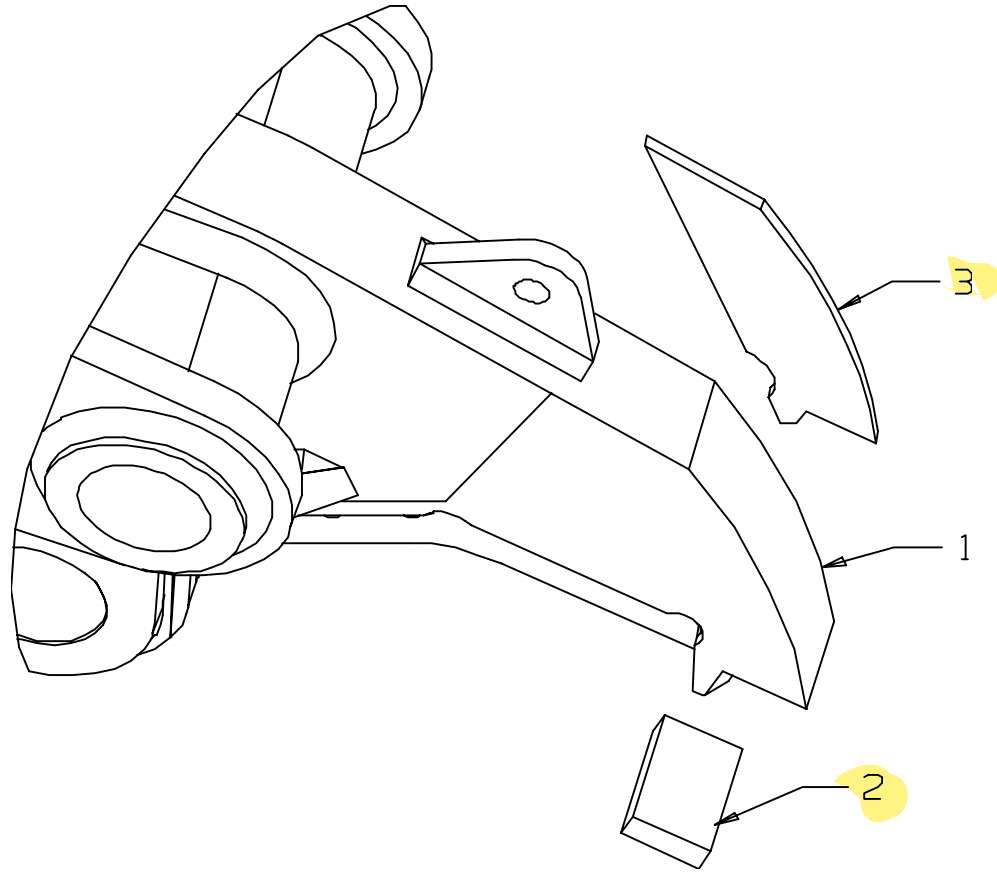
NOTES:

- A. BLADE SHIMSET #109765 SERVICE ITEM, NOT SHIPPED WITH NEW ASSEMBLY.
- B. REPLACEMENT ENDCAP SHIM SET #136910

Item	Part #	Qty	Description
1	143338	1	UPPER SHEAR
2	142139	1	SHEAR/STICK
3	109764	4	BLADE
4	109762	1	ADJUSTMENT PLATE
5	109763	1	ADJUSTMENT PLATE
6	503019	2	FLAT HEAD CAPSCREW
7	502784	4	FLAT HEAD CAPSCREW
8	502785	6	FLAT HEAD CAPSCREW
9	501554	12	FLAT WASHER
10	501574	12	HEX NUT
11	137005	1	GUIDE SEAT
12	104281	1	BLADE
13	155255	1	GUIDE BLADE SHIM SET
14	502475	2	FLAT HEAD CAPSCREW
15	501446	2	FLAT WASHER

Item	Part #	Qty	Description
16	502476	2	HEX NUT
17	137007	1	SHAFT
18	137008	2	MAIN BEARING
19	510508	2	SOCKET HEAD CAPSCREW
20	137006	2	ENDCAP MACHINING
21	510130	12	SOCKET HEAD CAPSCREW
22	503156	12	HIGH COLLAR LOCK WASHER
23	500067	4	GREASE ADAPTER
24	510613	4	ENDCAP SHIM
25	510614	4	ENDCAP SHIM
26	510615	4	ENDCAP SHIM
27	510616	2	ENDCAP SHIM
28	137051	1	TEMPLATE KIT
29	137052	1	LABEL INSTALLATION
30	136970	2	REAR LUG PLATE MACHINING

Upper Shear Assembly 143338



Item	Part #	Qty	Description
1	143342	1	UPPER SHEAR
2	136927	1	PIERCING TIP
3	143344	1	WEAR PLATE
